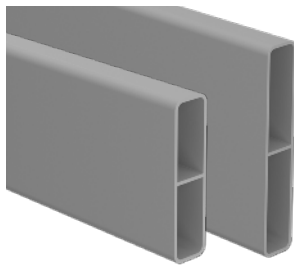




**QUICKSCREEN GATE**  
**HORIZONTAL SLAT SCREENING**  
**HINGED PEDESTRIAN GATE**

**FABRICATION**  
**OVERVIEW**

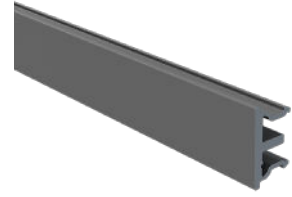




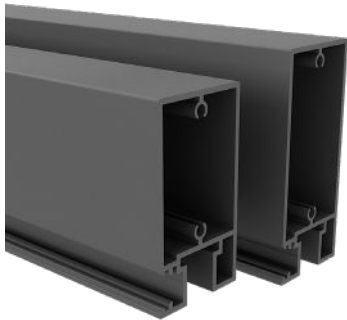
65mm Slat or  
90mm Slat



Gate Side Frame



Gate Screw  
Cover



65mm or 90mm  
Top/Bottom Rail



Gate Infill



Gate Top Cap



Joiner Blocks and  
Screws for 65mm or  
90mm Top/Bottom Rails



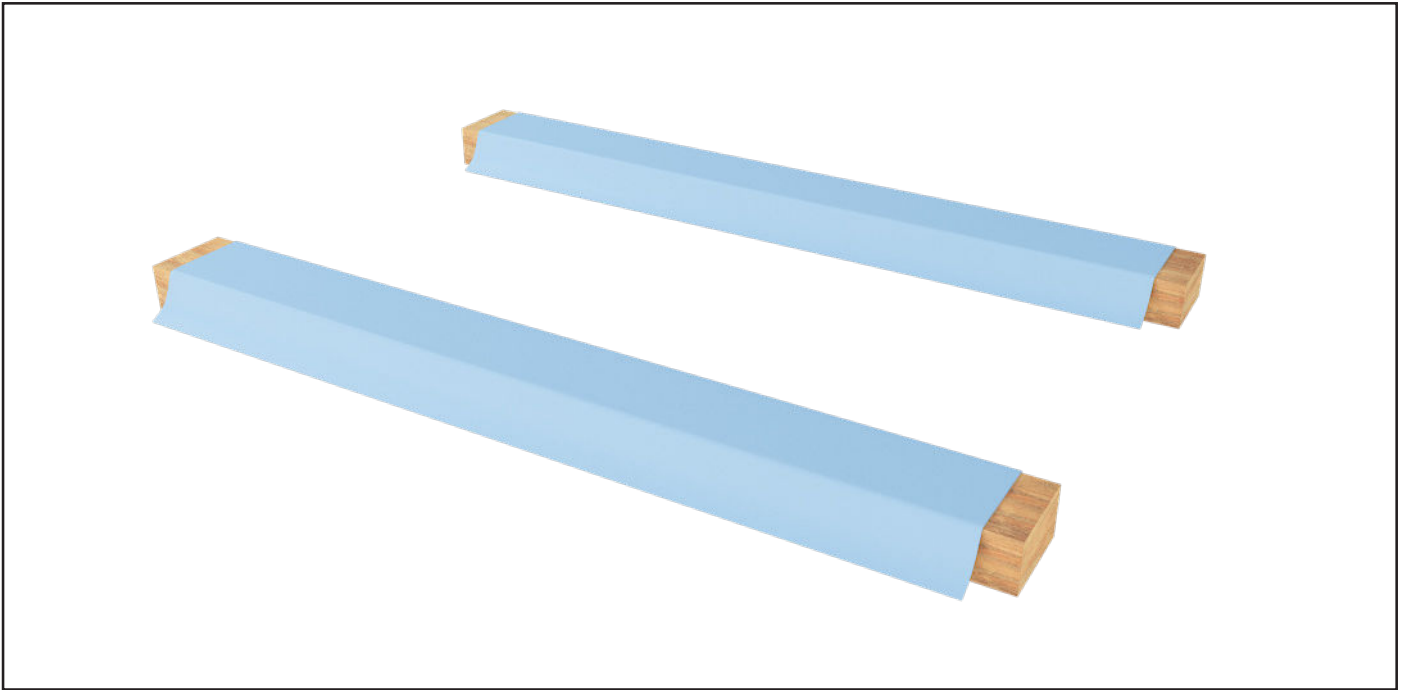
Panhead Screws



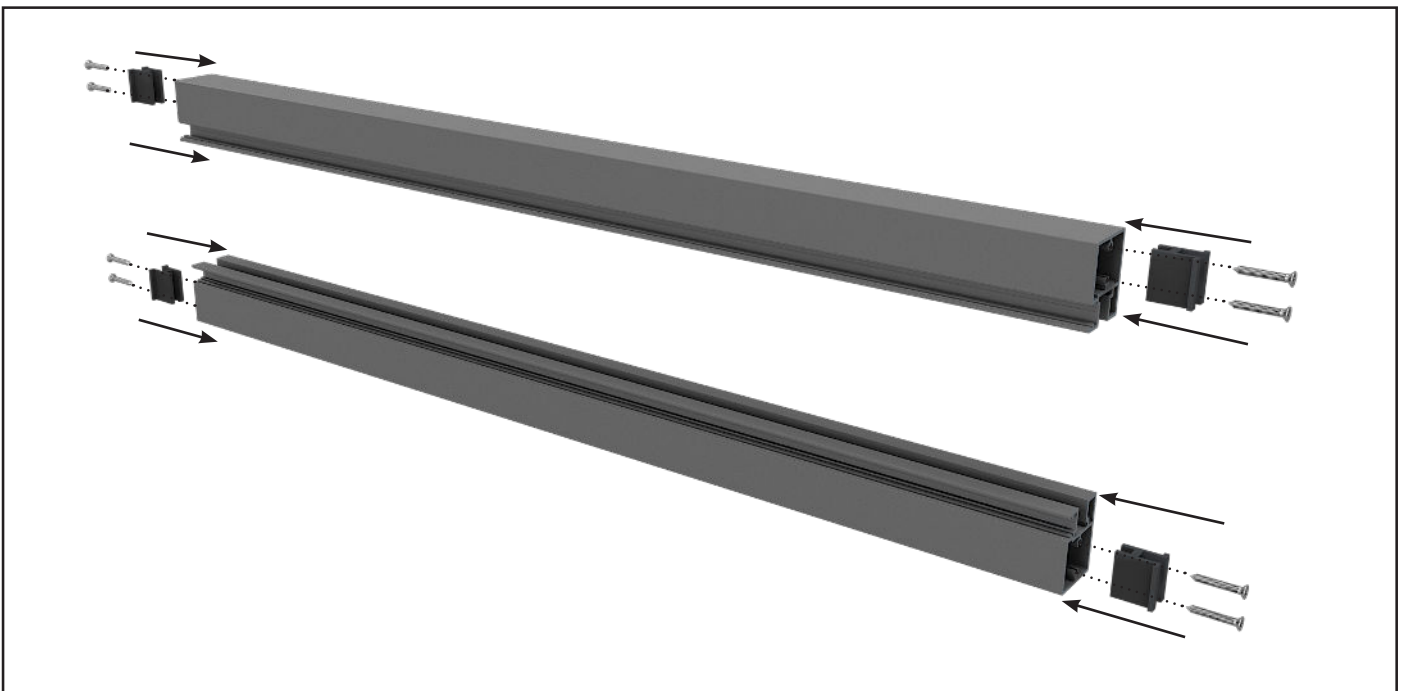
Self-drilling  
Wafer Screws



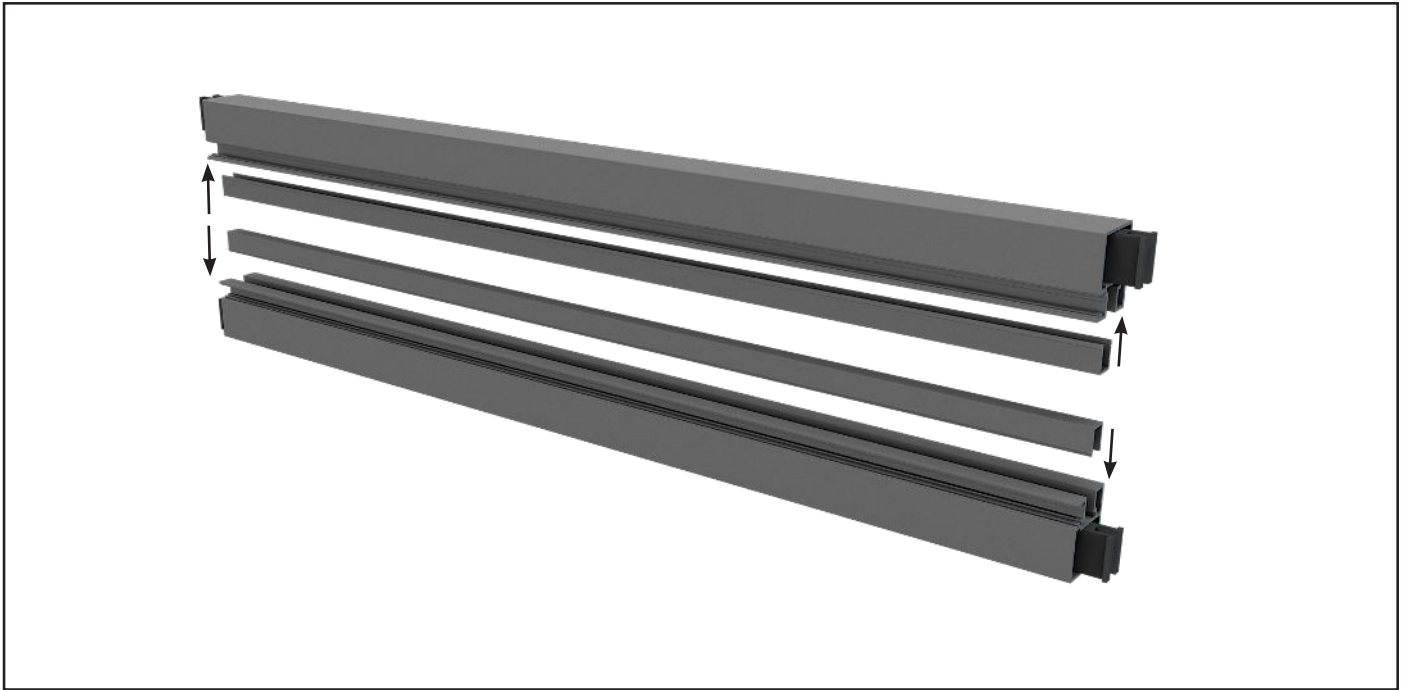
Slat Spacers



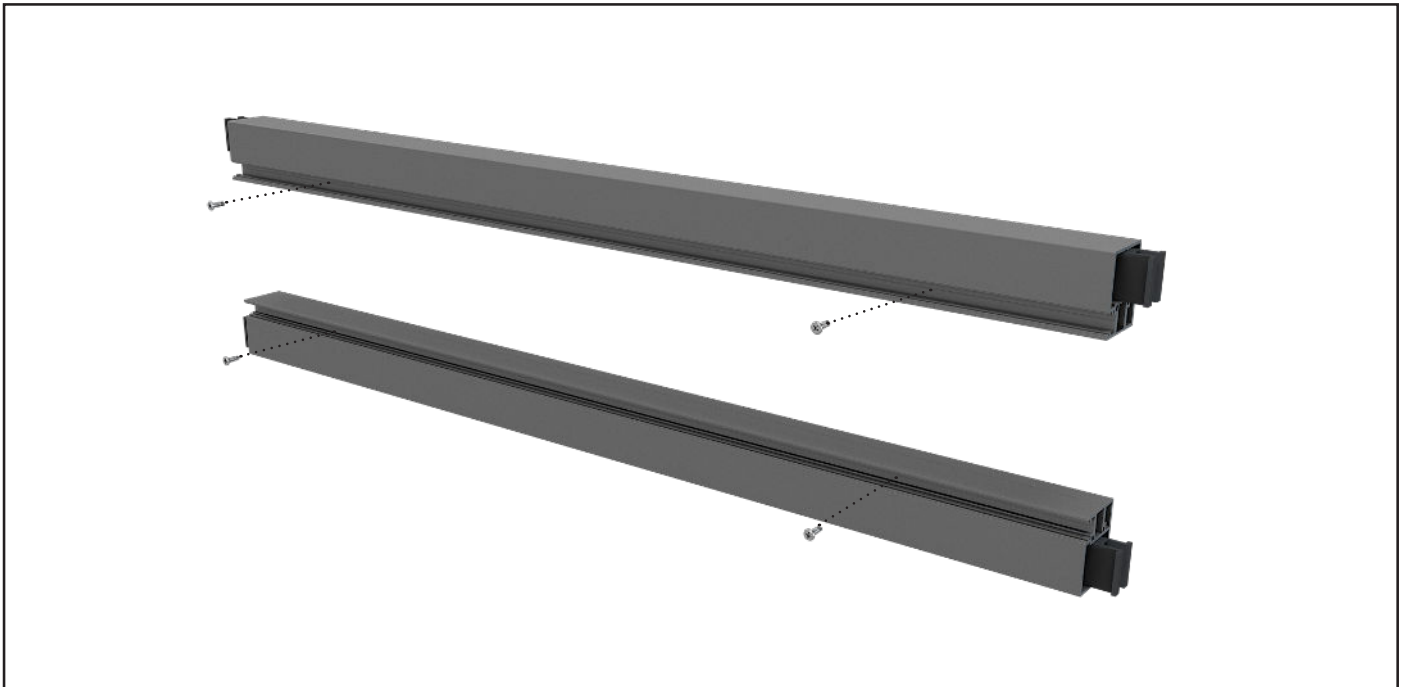
- 1 Set up the gate fabrication area on a flat, protected surface or padded bearers



- 2 Attach the Joiner Blocks to both ends of the Top and Bottom Rails with two screws per Joiner block using a Phillips head #3 driver bit on a low-torque/low-speed cordless drill setting.



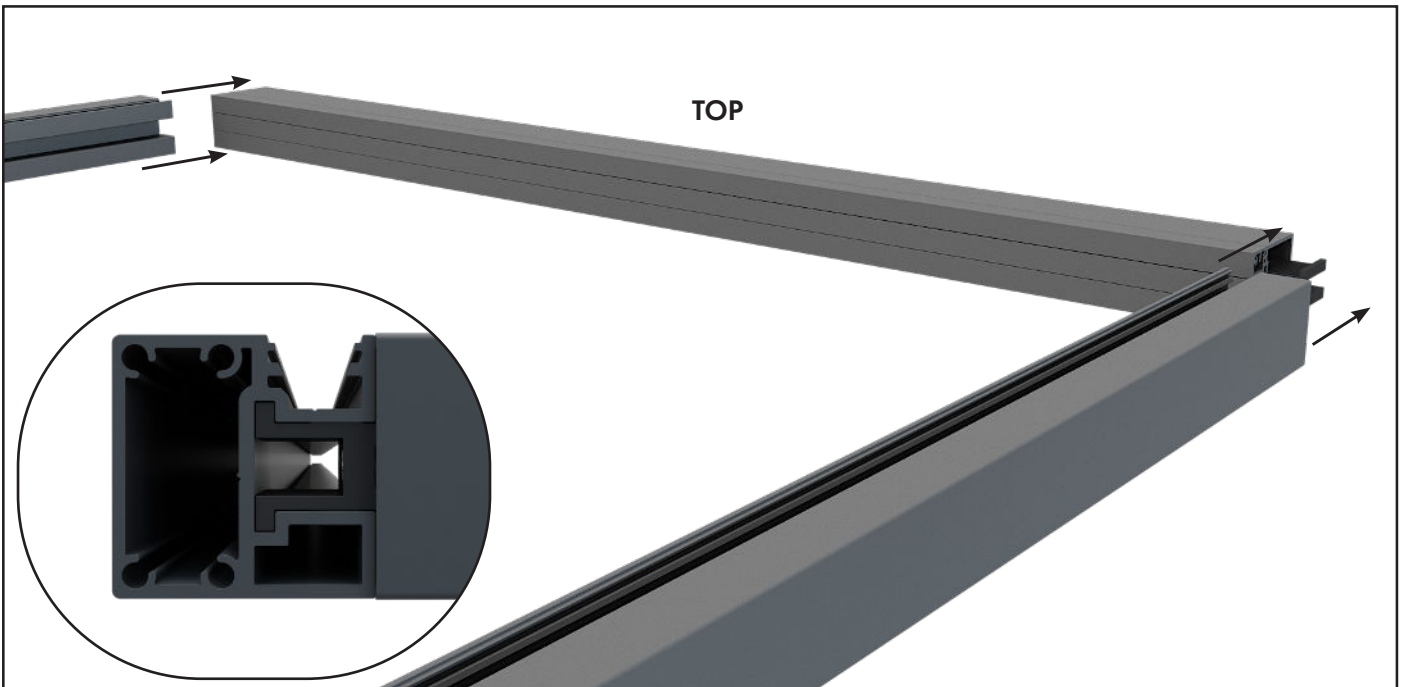
3 Insert Gate Infills to the Top and Bottom Rails.



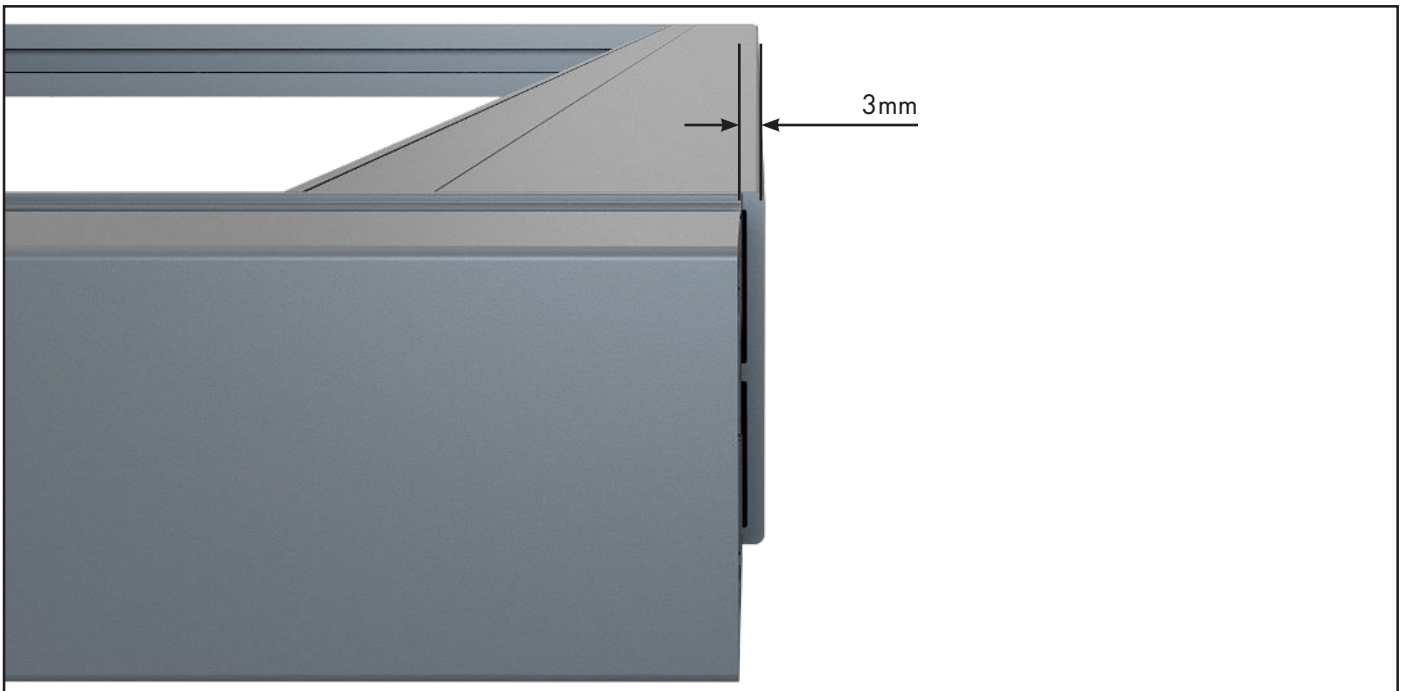
4 Secure with two self-drilling wafer screws per Gate Infill within the screw channel.



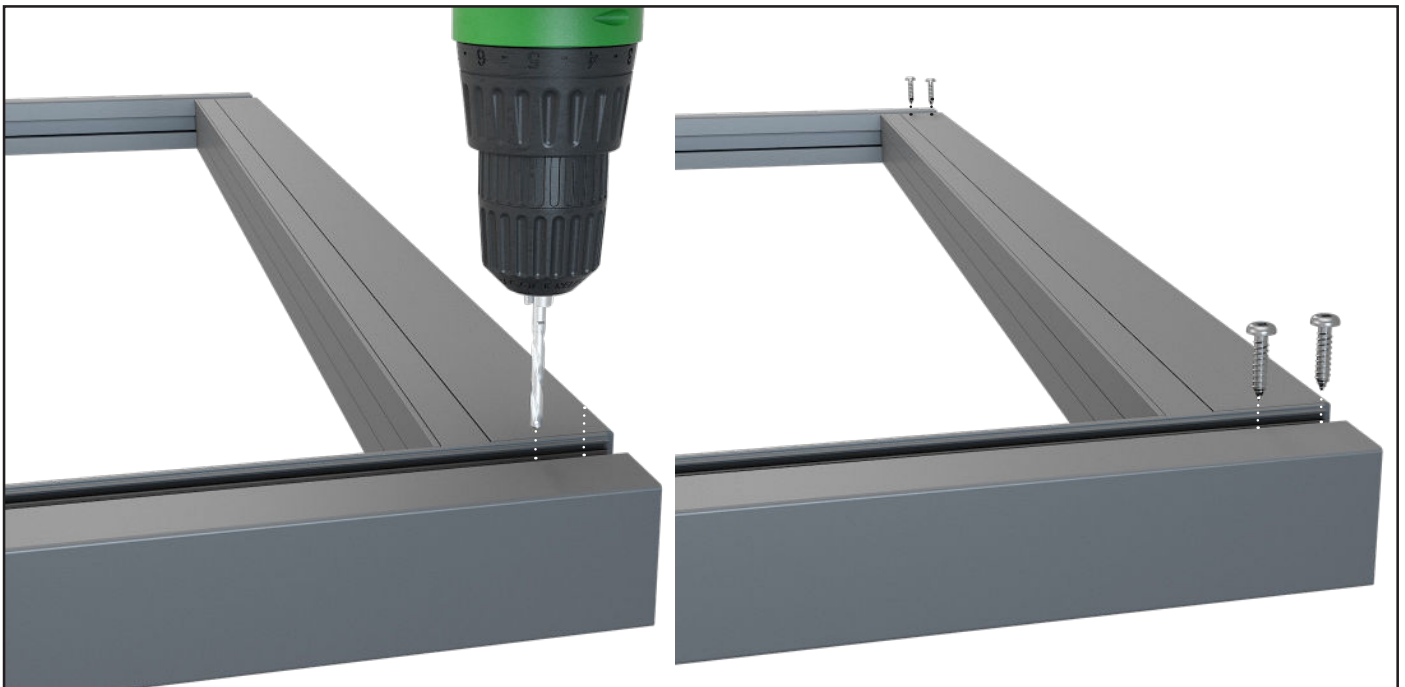
5 Snap on Gate Covers to conceal screws.



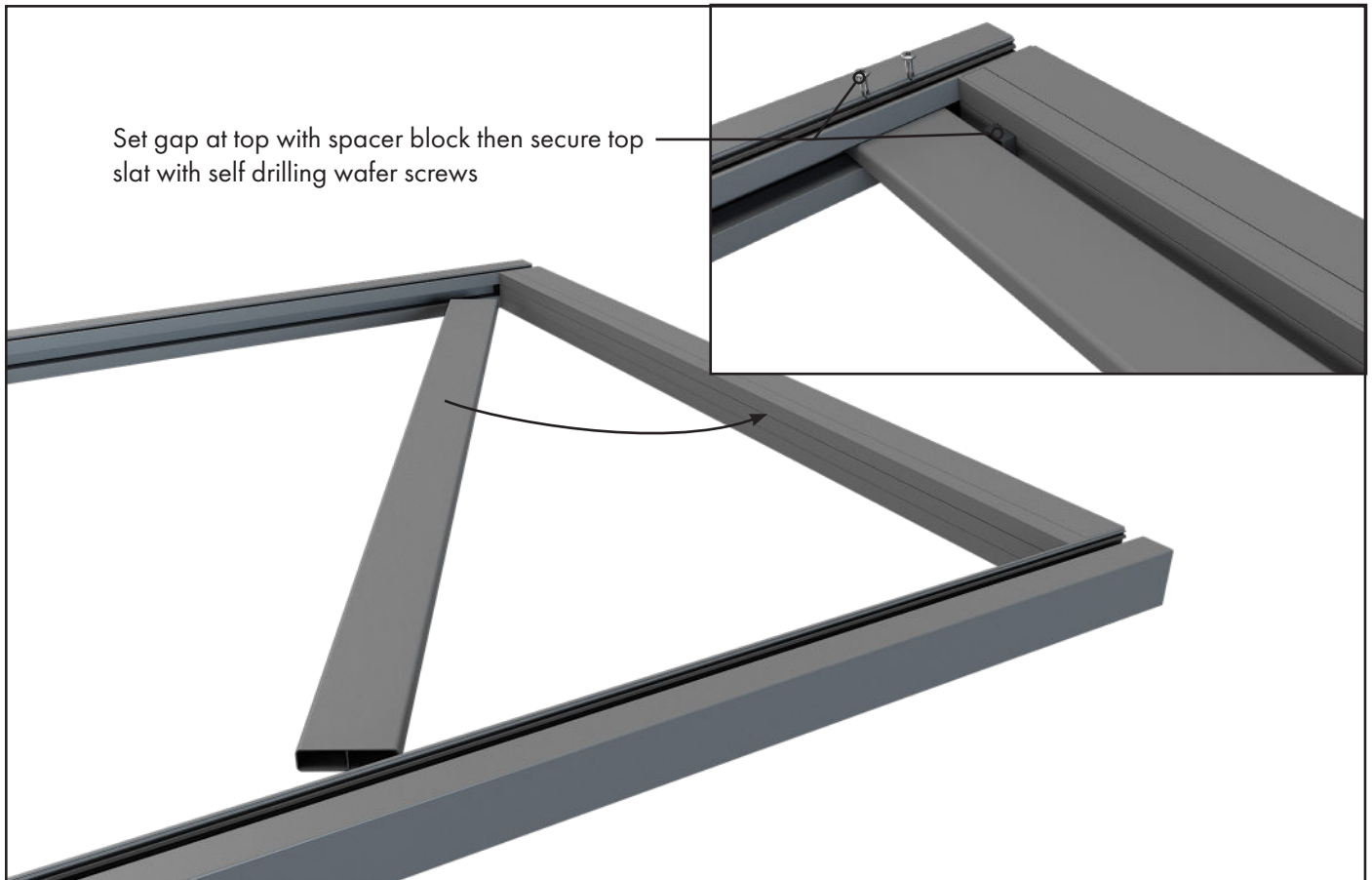
6 Slide Gate Side Frames onto the Top Rail.



- 7 Leave a 3mm gap between the top of the Gate Top Rail and Gate Side Frame on both sides to allow for the top cap to finish flush with the Gate Top Rail.

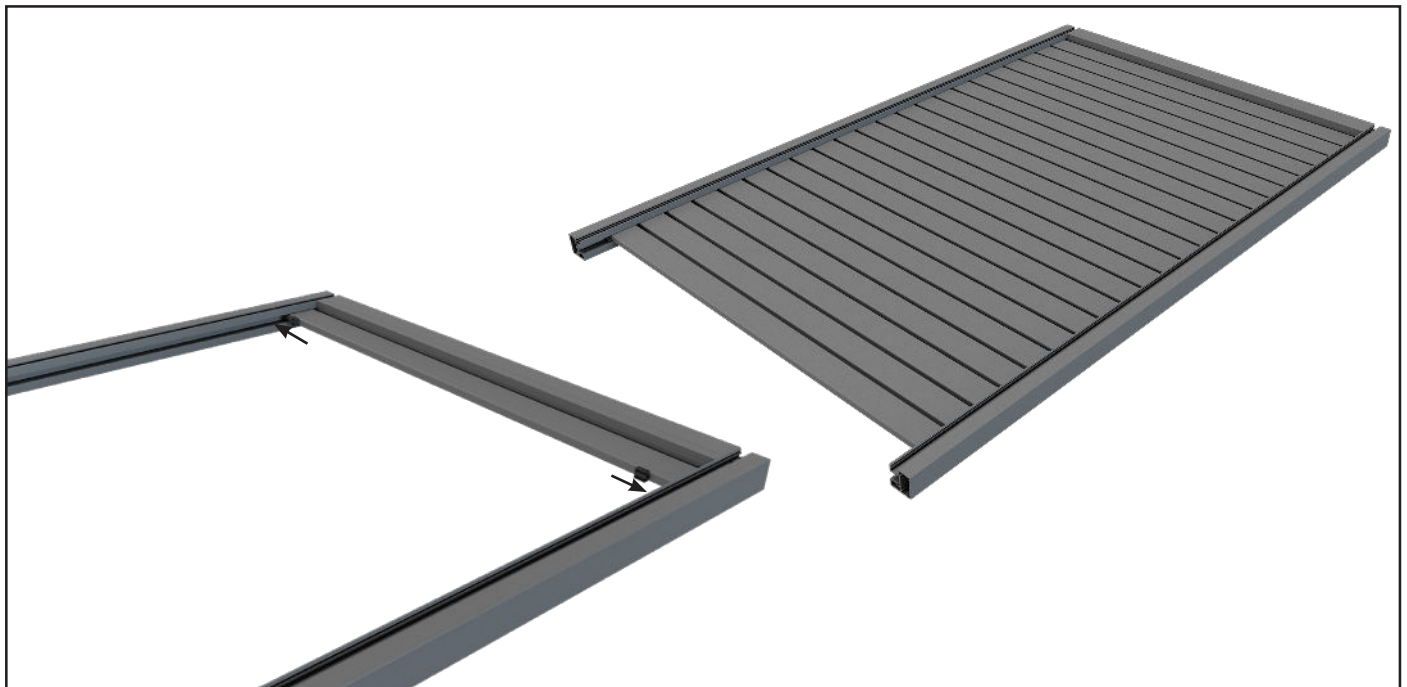


- 8 Pre-drill two 5mm holes through the Gate Side Frame screw channel and Joiner Blocks on both sides. Affix two 12G x 25mm long panhead screws per Joiner Block.



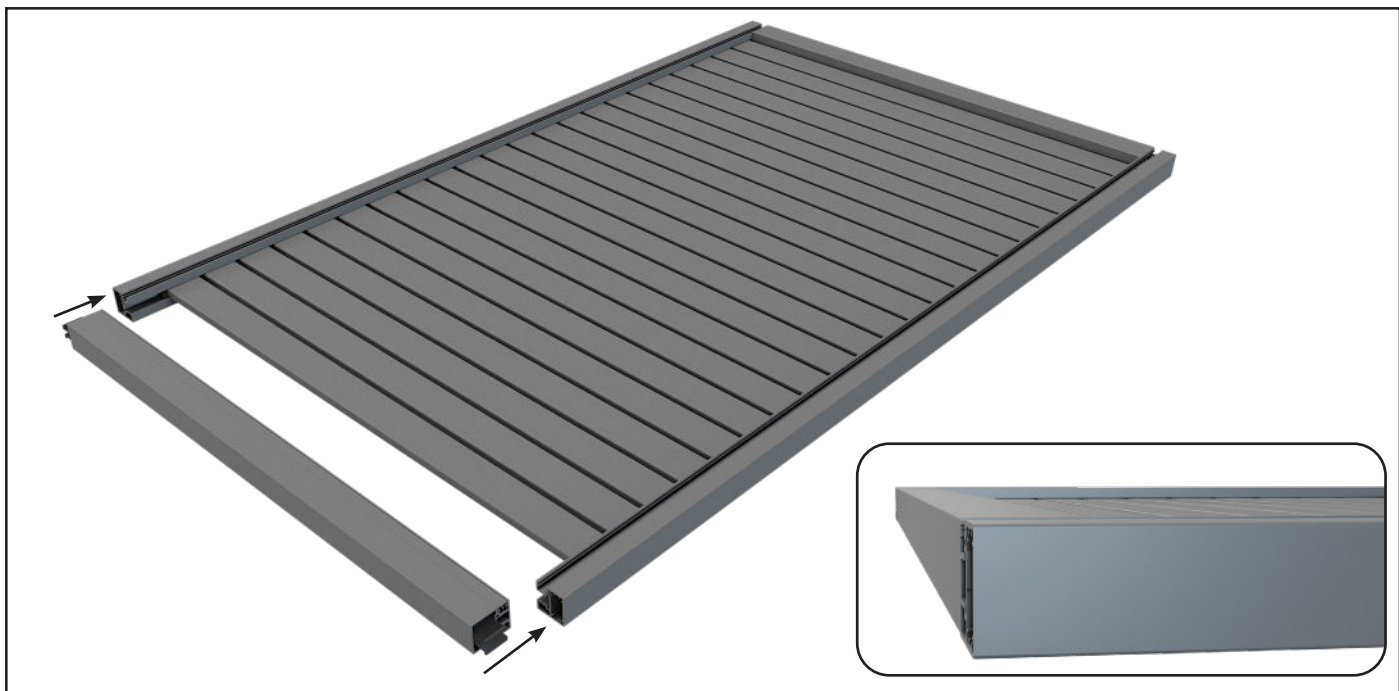
Set gap at top with spacer block then secure top slat with self drilling wafer screws

- 9 Install the first top slat. Use two spacers temporarily to set the first top gap between the top rail and top slat. Secure the top slat with two self-drilling wafer screws on each side and remove the two temporary spacers.



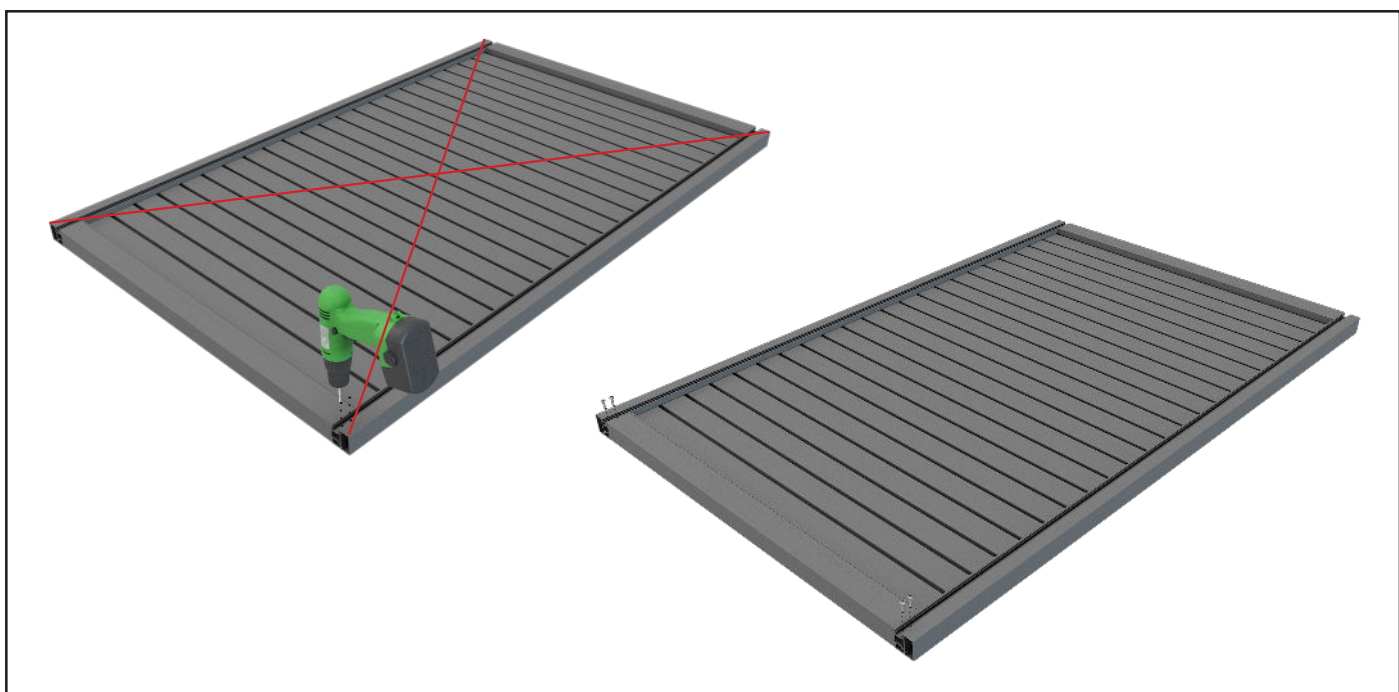
- 10 Snap Spacer Blocks into position under the top slat. Position all remaining slats and spacers working from top to bottom of gate.

**NOTE:** Do not screw fix slats to gate frames at this stage.

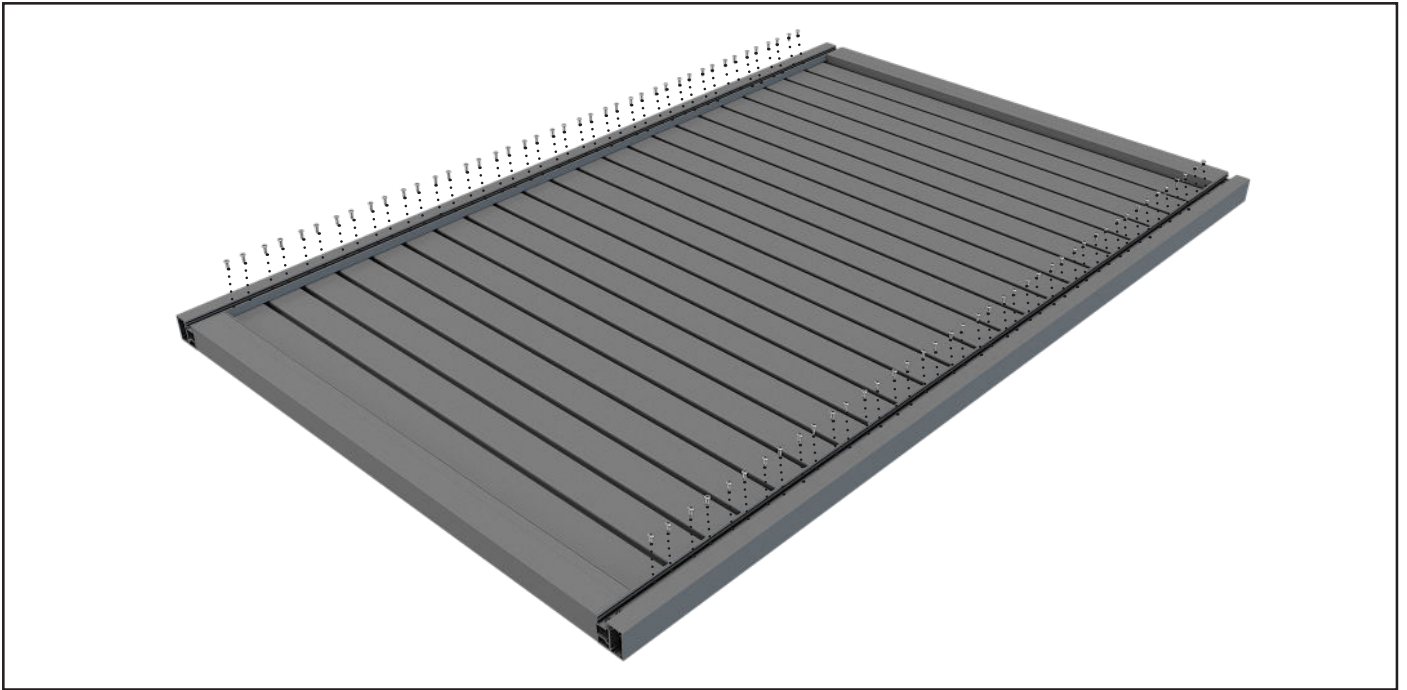


- 11 Slide the Bottom Rail onto the Gate Side Frames, ensuring the Bottom Rail aligns with the bottom of the Gate Side Frames.

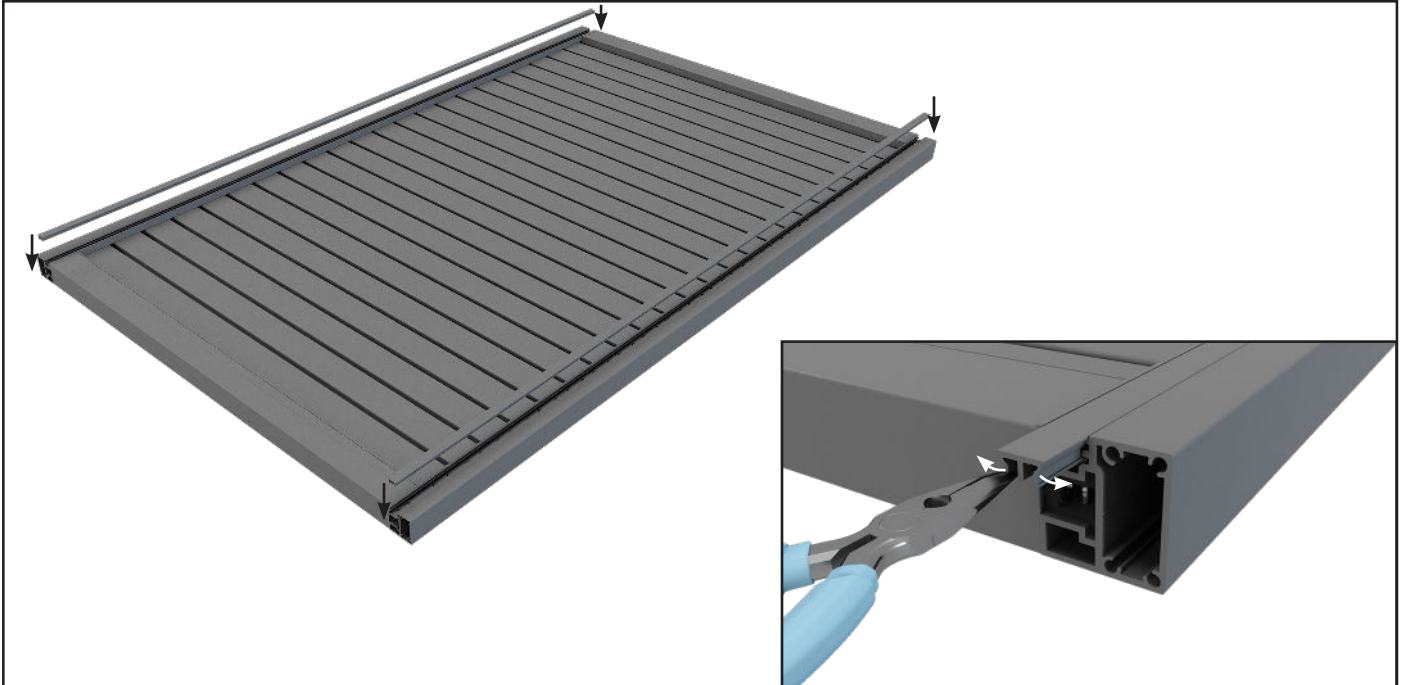
**NOTE:** For Nil spaced slat gates, manufacturer's extrusion tolerances can cause the slat infill to expand. If so, remove and discard the Gate Infill from the Bottom Rail to allow the bottom slat to insert into the Bottom Rail channel.



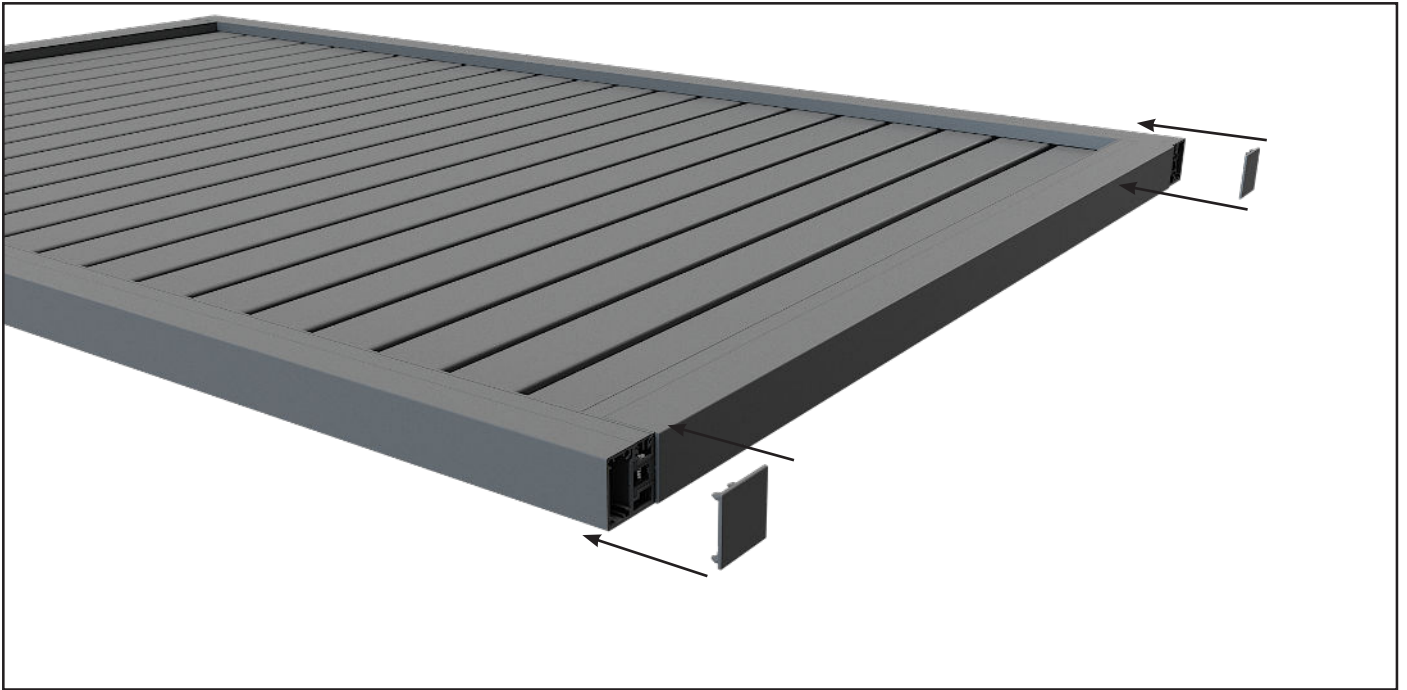
- 12 Ensure the gate is square. Pre-drill two 5mm holes through the Gate Side Frame screw channel and Joiner Blocks on both sides. Affix two 12G x 25mm long panhead screws per Joiner Block.



13 Ensuring the gate is square, affix each slat with two self-drilling wafer screws on each side.



14 Insert the two Gate Screw Covers to the Gate Side Frames.  
Once inserted, bend the Screw Cover legs as required to achieve a tight insert.



15 Insert the two Top Caps.



● Gate Fabrication complete.